

Straumann® Basic Guided Surgery Cassette

Basic Information

Guided Surgery Cassette – smartly delivered

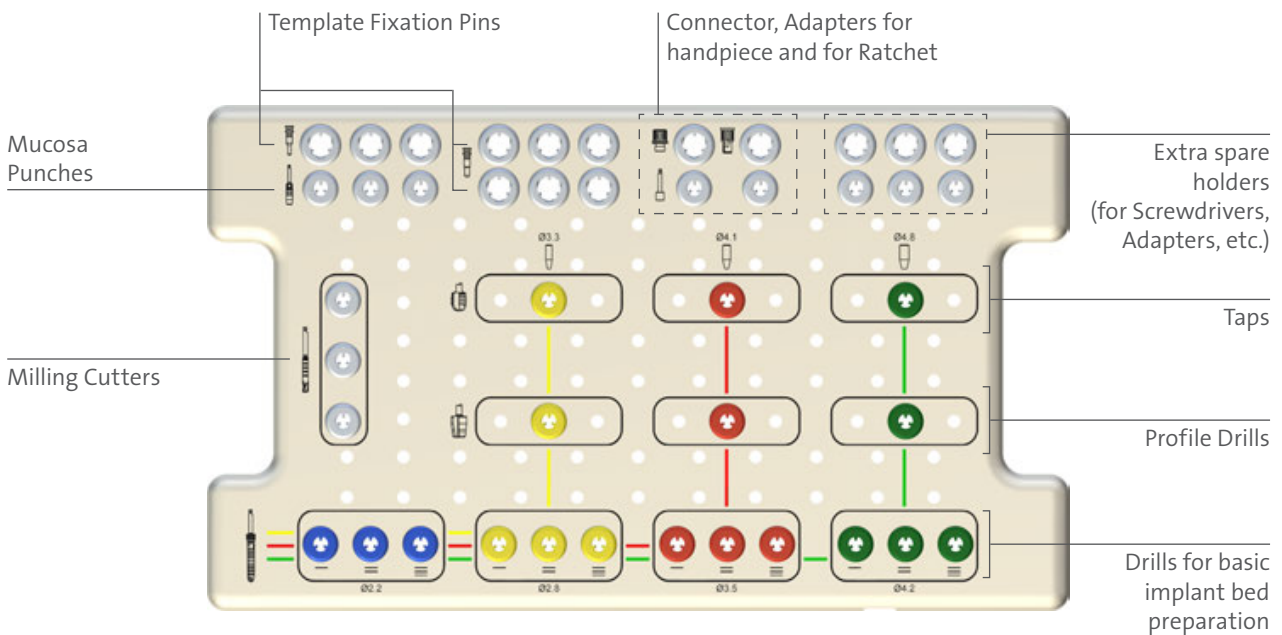
The Straumann® Basic Guided Surgery Cassette has been designed to simplify the guided surgery procedure for clinicians working with one preferred Straumann implant line. No matter which implant line is used, the cassette can hold all the necessary instruments for the basic and fine guided implant bed preparation as well as the required auxiliaries (e.g. ratchet, screwdrivers and adapters).

Simple and versatile

- Works with any Straumann implant line*, e.g. BLT, BL, SP, S, TE
- Clear and simple layout for easy navigation through the surgical procedure

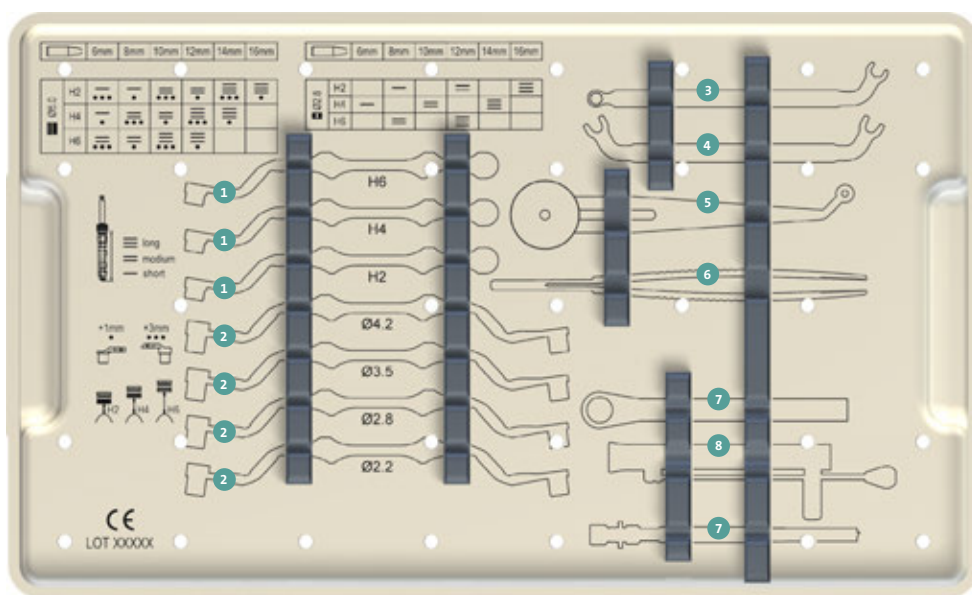
The Straumann® Basic Guided Surgery Cassette consists of the upper tray, the lower tray and the lid.

Upper tray



* For reference examples, see section Upper tray set-ups on p. 3.

Lower tray



- ① C-Handles
- ② Drill Handles
- ③ Holding Key
- ④ Stop Key
- ⑤ Distance Indicator
- ⑥ Tweezers
- ⑦ Ratchet
- ⑧ Torque Control for Ratchet

Upper tray set-ups

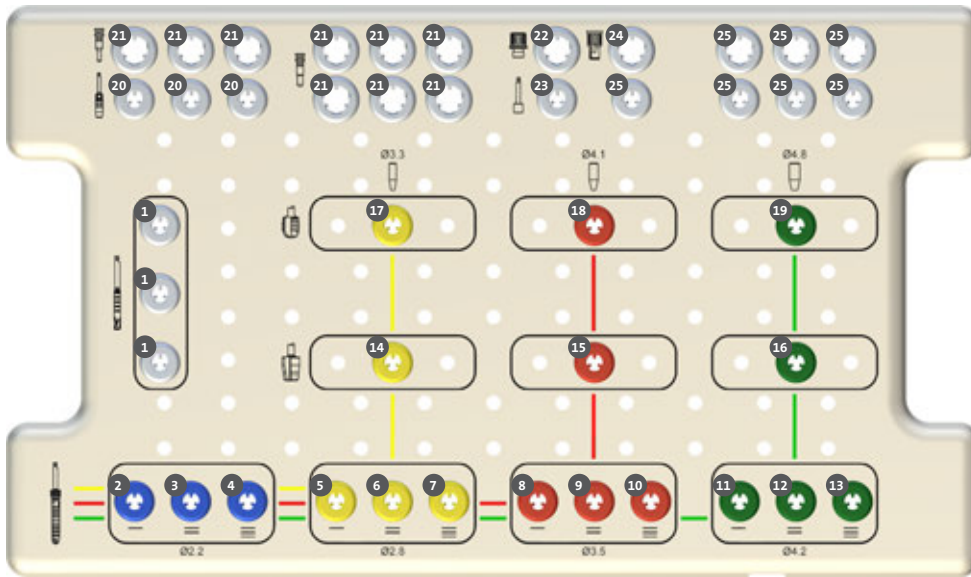
The upper tray of the Straumann® Basic Guided Surgery Cassette can be set-up with any particular Straumann implant line. Based on the recommended guided surgery procedure, drills for basic implant bed preparation, profile drills, and taps should be placed into corresponding instrument holders of the cassette.

Note: For detailed information on the instruments and their use in specific implant procedures, you must consult the following brochures:

- Basic Information on Straumann® Guided Surgery 152.753/en
- Basic Information on the Surgical Procedures – Straumann® Dental Implant System, 152.754/en
- Basic Information on the Surgical Procedures – Straumann® Bone Level Tapered Implant, 490.038/en
- Basic Information on the Surgical and Prosthetic Procedures – Straumann® PURE Ceramic Implant, 152.750/en
- Care and Maintenance of Surgical and Prosthetic Instruments, 152.008/en
- Basic Information on Screw-retained Hybrid Restorations, 490.015/en
- Guidance for Implant Removal, 152.806/en

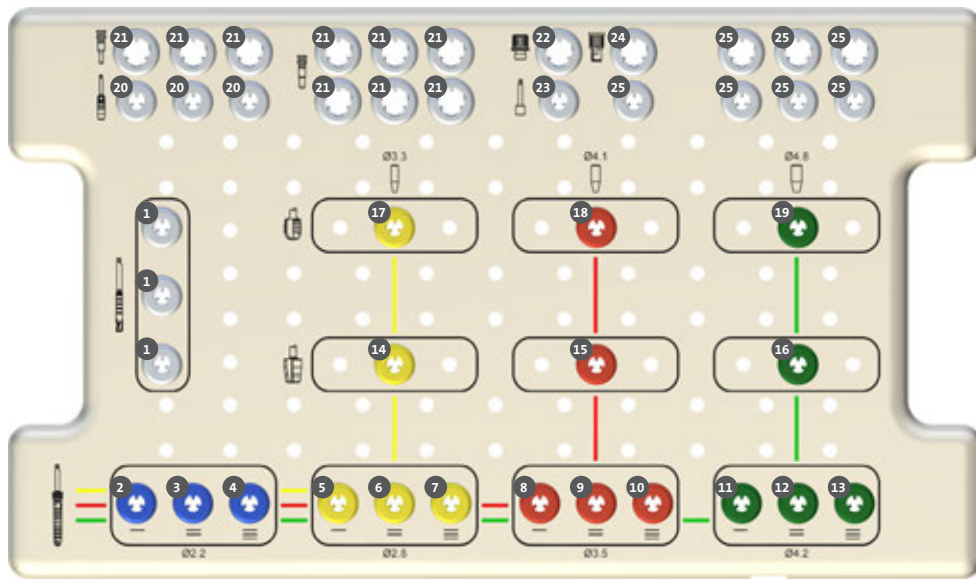
On the following pages, examples of possible cassette set-ups are illustrated.

Set-up for Bone Level Tapered (BLT) Implant Line



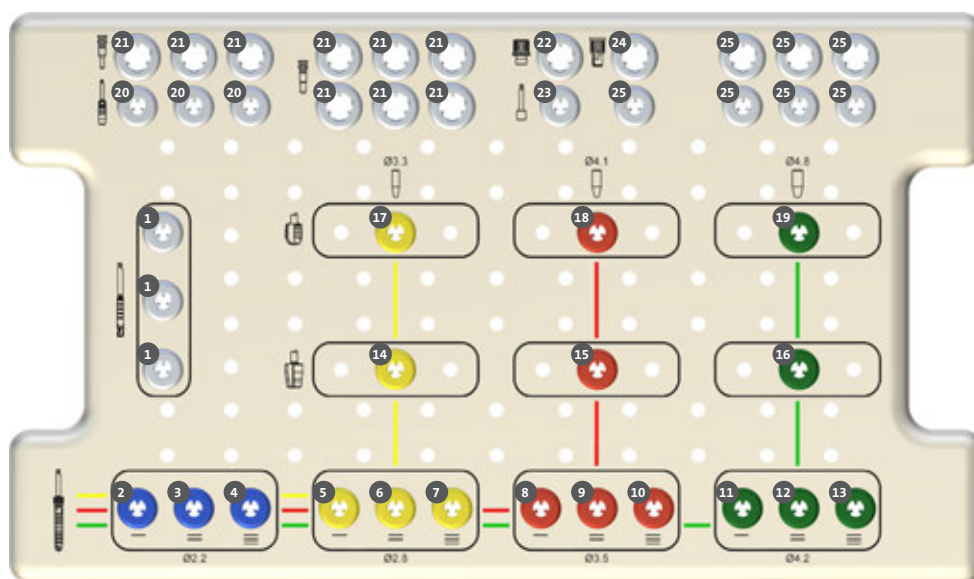
No.	Article	Article	Art. No.
1		Milling Cutters, guided	034.215, 034.415, 034.615
2		BLT Pilot Drill Ø 2.2 mm, short, guided	034.257
3		BLT Pilot Drill Ø 2.2 mm, medium, guided	034.258
4		BLT Pilot Drill Ø 2.2 mm, long, guided	034.259
5		BLT Drill Ø 2.8 mm, short, guided	034.260
6		BLT Drill Ø 2.8 mm, medium, guided	034.261
7		BLT Drill Ø 2.8 mm, long, guided	034.262
8		BLT Drill Ø 3.5 mm, short, guided	034.263
9		BLT Drill Ø 3.5 mm, medium, guided	034.264
10		BLT Drill Ø 3.5 mm, long, guided	034.265
11		BLT Drill Ø 4.2 mm, short, guided	034.266
12		BLT Drill Ø 4.2 mm, medium, guided	034.267
13		BLT Drill Ø 4.2 mm, long, guided	034.268
14		BLT Profile Drill Ø 3.3 mm, guided	034.269
15		BLT Profile Drill Ø 4.1 mm, guided	034.270
16		BLT Profile Drill Ø 4.8 mm, guided	034.271
17		BLT Tap, Ø 3.3 mm, guided	034.272
18		BLT Tap, Ø 4.1 mm, guided	034.273
19		BLT Tap, Ø 4.8 mm, guided	034.274
20		Mucosa Punches, guided	034.010, 034.011, 034.012
21		Template Fixation Pins	034.256, 034.255, 034.455, 034.655
22		Adapter for Ratchet	046.460 or 046.461 or 046.462
23		Adapter for handpiece	046.470 or 046.471 or 046.472
24		Connector for Ratchet	034.005
25	–	Extra holders can be used for screw drivers, adapters, etc.	–

Set-up for Standard Plus (SP) Implant Line



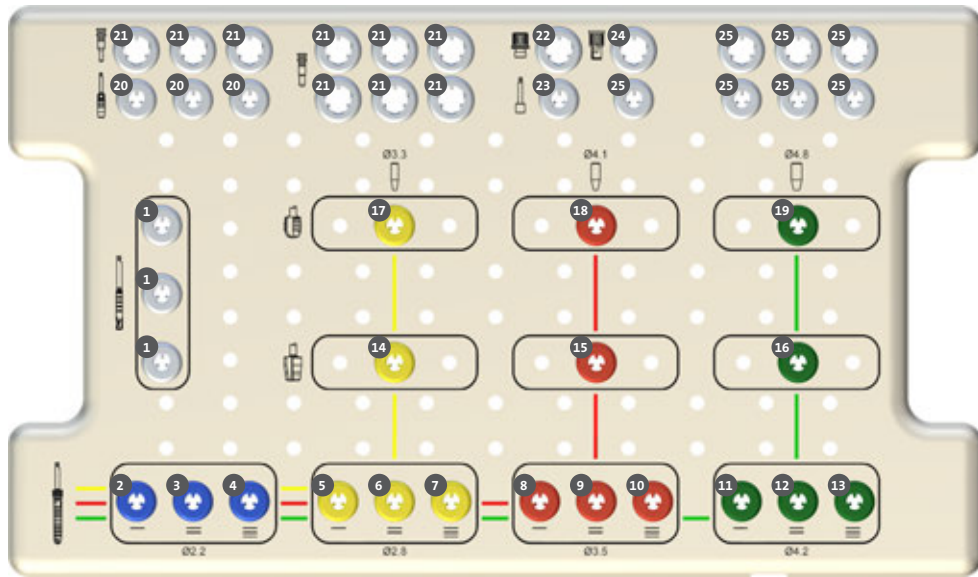
No.		Article	Art. No.
1		Milling Cutters, guided	034.215, 034.415, 034.615
2		Pilot Drill Ø 2.2 mm, short, guided	034.123
3		Pilot Drill Ø 2.2 mm, medium, guided	034.126
4		Pilot Drill Ø 2.2 mm, long, guided	034.129
5		Twist Drill PRO Ø 2.8 mm, short, guided	034.223
6		Twist Drill PRO Ø 2.8 mm, medium, guided	034.226
7		Twist Drill PRO Ø 2.8 mm, long, guided	034.229
8		Twist Drill PRO Ø 3.5 mm, short, guided	034.423
9		Twist Drill PRO Ø 3.5 mm, medium, guided	034.426
10		Twist Drill PRO Ø 3.5 mm, long, guided	034.429
11		Twist Drill PRO Ø 4.2 mm, short, guided	034.623
12		Twist Drill PRO Ø 4.2 mm, medium, guided	034.626
13		Twist Drill PRO Ø 4.2 mm, long, guided	034.629
14		SP Profile Drill Ø 3.3 mm, guided	034.235
15		SP Profile Drill Ø 4.1 mm, guided	034.435
16		SP Profile Drill Ø 4.2 mm, short/long	044.084 or 044.085
17		S/SP Tap for handpiece Ø 3.3 mm, guided	034.245
18		S/SP Tap for handpiece Ø 4.1 mm, guided	034.445
19		S/SP Tap for handpiece Ø 4.8 mm, guided	034.645
20		Mucosa Punches, guided	034.010, 034.011, 034.012
21		Template Fixation Pins	034.256, 034.255, 034.455, 034.655
22		Adapter for Ratchet	046.460 or 046.461 or 046.462
23		Adapter for handpiece	046.470 or 046.471 or 046.472
24		Connector for Ratchet	034.005
25	–	Extra holders can be used for screw drivers, adapters, etc.	–





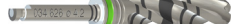







Set-up for Bone Level (BL) Implant Line



No.	Article	Art. No.
1	Milling Cutters, guided	034.215, 034.415, 034.615
2	Pilot Drill Ø 2.2 mm, short, guided	034.123
3	Pilot Drill Ø 2.2 mm, medium, guided	034.126
4	Pilot Drill Ø 2.2 mm, long, guided	034.129
5	Twist Drill PRO Ø 2.8 mm, short, guided	034.223
6	Twist Drill PRO Ø 2.8 mm, medium, guided	034.226
7	Twist Drill PRO Ø 2.8 mm, long, guided	034.229
8	Twist Drill PRO Ø 3.5 mm, short, guided	034.423
9	Twist Drill PRO Ø 3.5 mm, medium, guided	034.426
10	Twist Drill PRO Ø 3.5 mm, long, guided	034.429
11	Twist Drill PRO Ø 4.2 mm, short, guided	034.623
12	Twist Drill PRO Ø 4.2 mm, medium, guided	034.626
13	Twist Drill PRO Ø 4.2 mm, long, guided	034.629
14	BL/NNC Profile Drill Ø 3.3 mm, guided	026.2503
15	BL Profile Drill Ø 4.1 mm, guided	026.4503
16	BL Profile Drill Ø 4.8 mm, guided	026.6503
17	BL/TE/NNC Tap for handpiece Ø 3.3 mm, guided	026.2510
18	BL/TE Tap for handpiece Ø 4.1 mm, guided	026.4510
19	BL/TE Tap for handpiece Ø 4.8 mm, guided	026.6510
20	Mucosa Punches, guided	034.010, 034.011, 034.012
21	Template Fixation Pins	034.256, 034.255, 034.455, 034.655
22	Adapter for Ratchet	046.460 or 046.461 or 046.462
23	Adapter for handpiece	046.470 or 046.471 or 046.472
24	Connector for Ratchet	034.005
25	Extra holders can be used for screw drivers, adapters, etc.	–

Set-up for Tapered Effect (TE) Implant Line



No.		Article	Art. No.
1		Milling Cutters, guided	034.215, 034.415, 034.615
2		Pilot Drill Ø 2.2 mm, short, guided	034.123
3		Pilot Drill Ø 2.2 mm, medium, guided	034.126
4		Pilot Drill Ø 2.2 mm, long, guided	034.129
5		Twist Drill PRO Ø 2.8 mm, short, guided	034.223
6		Twist Drill PRO Ø 2.8 mm, medium, guided	034.226
7		Twist Drill PRO Ø 2.8 mm, long, guided	034.229
8		Twist Drill PRO Ø 3.5 mm, short, guided	034.423
9		Twist Drill PRO Ø 3.5 mm, medium, guided	034.426
10		Twist Drill PRO Ø 3.5 mm, long, guided	034.429
11		Twist Drill PRO Ø 4.2 mm, short, guided	034.623
12		Twist Drill PRO Ø 4.2 mm, medium, guided	034.626
13		Twist Drill PRO Ø 4.2 mm, long, guided	034.629
14		TE Profile Drill Ø 3.3 mm, guided	034.237
15		TE Profile Drill Ø 4.1 mm, guided	034.437
16		TE Profile Drill Ø 4.2 mm, short/long	044.703 or 044.710
17		BL/TE/NNC Tap for handpiece Ø 3.3 mm, guided	026.2510
18		BL/TE Tap for handpiece Ø 4.1 mm, guided	026.4510
19		BL/TE Tap for handpiece Ø 4.8 mm, guided	026.6510
20		Mucosa Punches, guided	034.010, 034.011, 034.012
21		Template Fixation Pins	034.256, 034.255, 034.455, 034.655
22		Adapter for Ratchet	046.460 or 046.461 or 046.462
23		Adapter for handpiece	046.470 or 046.471 or 046.472
24		Connector for Ratchet	034.005
25	–	Extra holders can be used for screw drivers, adapters, etc.	–

International Headquarters

Institut Straumann AG

Peter Merian-Weg 12

CH-4002 Basel, Switzerland

Phone +41 (0)61 965 11 11

Fax +41 (0)61 965 11 01

www.straumann.com

© Institut Straumann AG, 2017. All rights reserved.

Straumann® and/or other trademarks and logos from Straumann® mentioned herein are the trademarks or registered trademarks of Straumann Holding AG and/or its affiliates.